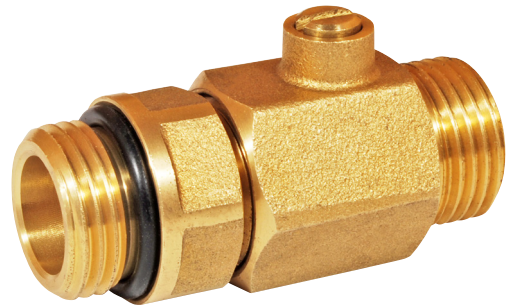


Ball valve 1802 rotating

- Dezincification resistant brass
- Male thread 1/2"
- Screw driver slot



Description

Ball valve.

Construction

Ball valve in dezincification resistant brass with rotating body and screw driver slot to operate the valve. Connection male threads 1/2". Gaskets in NBR. Key grip.

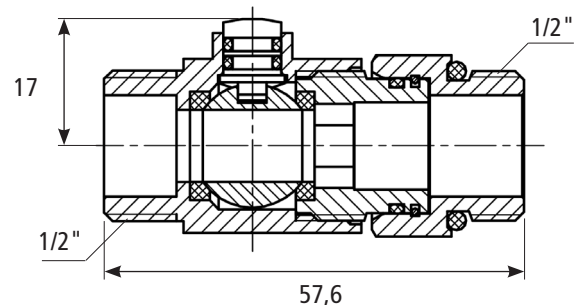
Maintenance

The ball valve must be operated periodically, two to three times a year.

Technical data

| | |
|-----------------|--|
| Body | Dezincification resistant brass CW625N |
| Ball seal | PTFE |
| Stem gasket | NBR |
| Gasket (o-ring) | NBR |

Maximum working pressure: 16 bar
 Maximum working temperature: +90°C
 Minimum working temperature: +2°C



| Item number | Description | Connection thread A | Length L | Centrum height H | Weight (kg per piece) |
|-------------|--|---------------------|----------|------------------|-----------------------|
| 0418021500 | Ball valve 1802 rotating, 1/2" M rotating x 1/2" M | 1/2" M | 57,6 | 17 | 0,14 |

All dimensions in millimetres

Subject to technical changes and corrections without notice